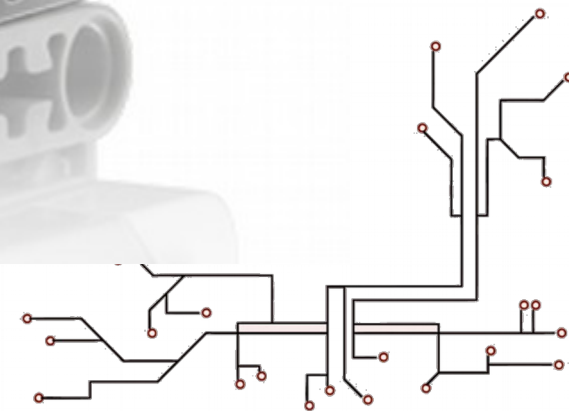
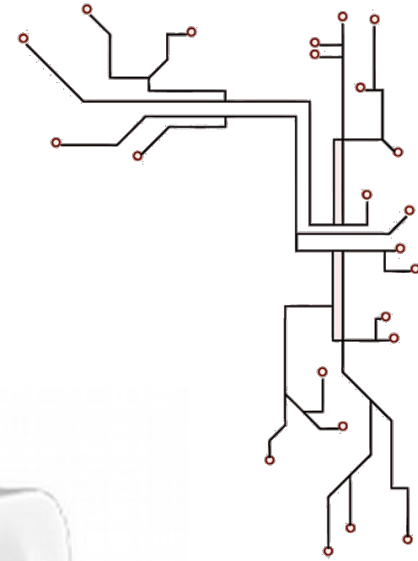
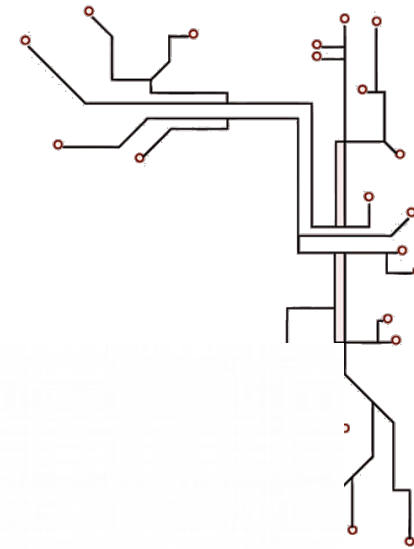


# Color Sensor

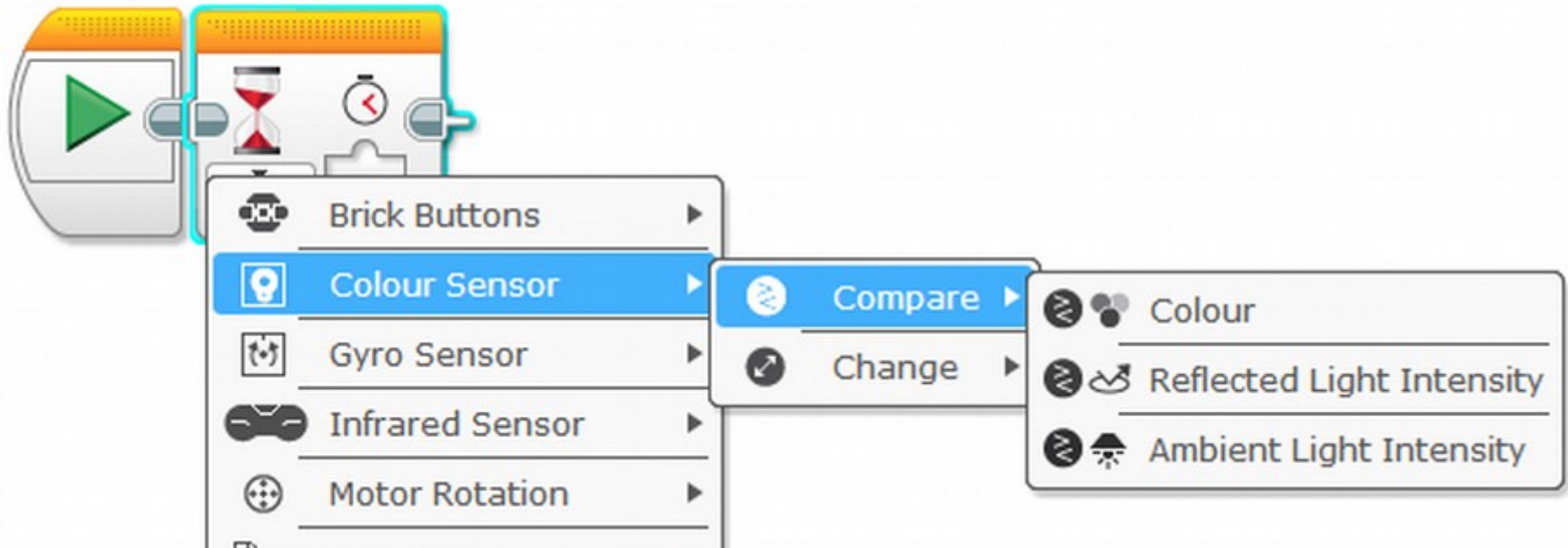
- Color Sensor
- Color ID
- The Color of Music



# Color Sensor



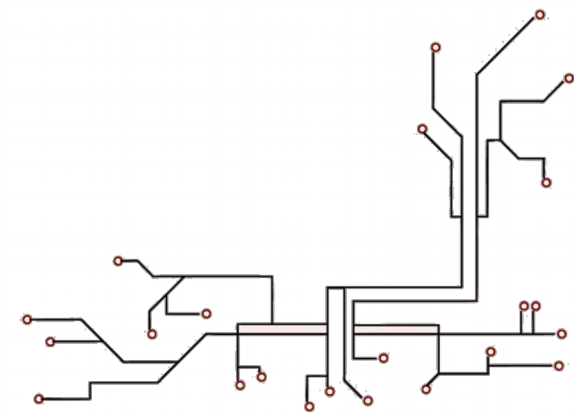
## Functions



Today we will explore **Color**

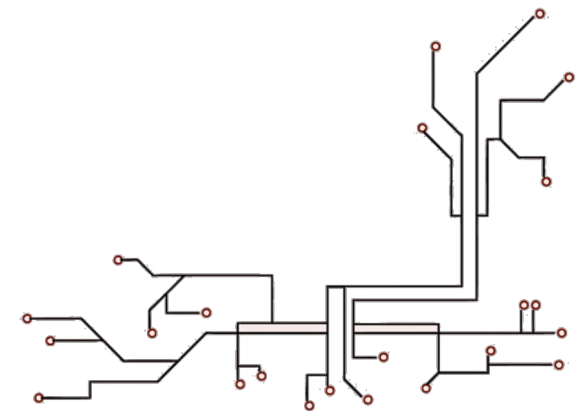
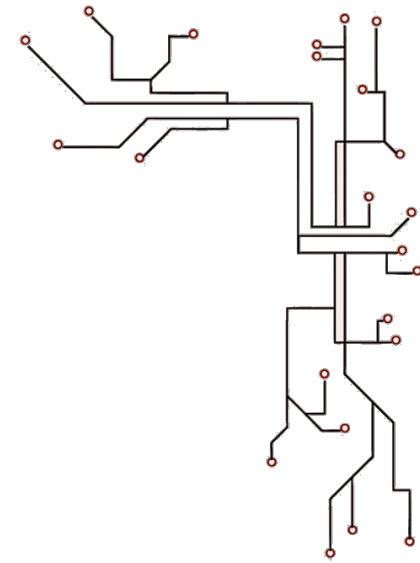
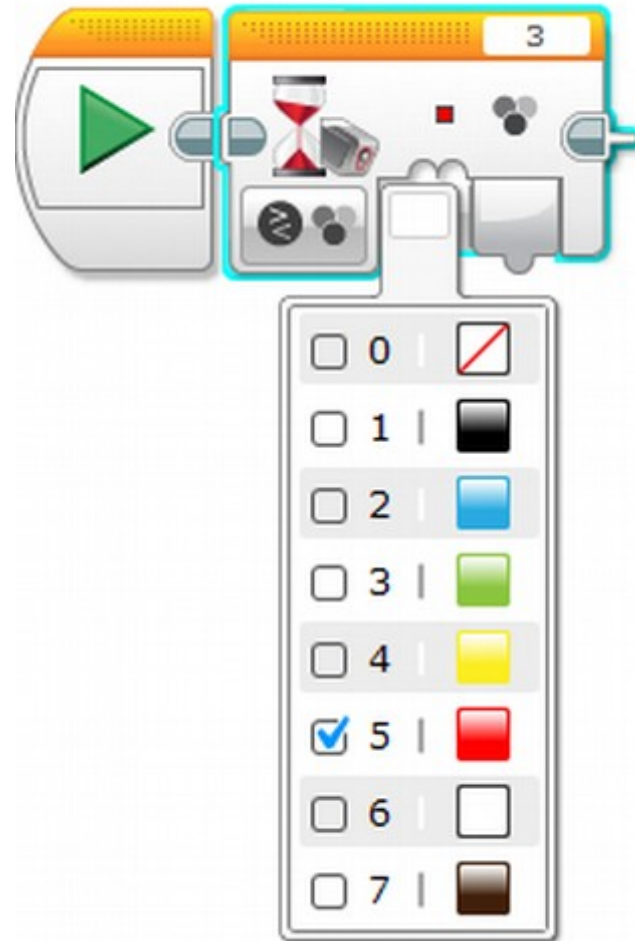
**A POSTERIORI**

Play · Experience · Learn



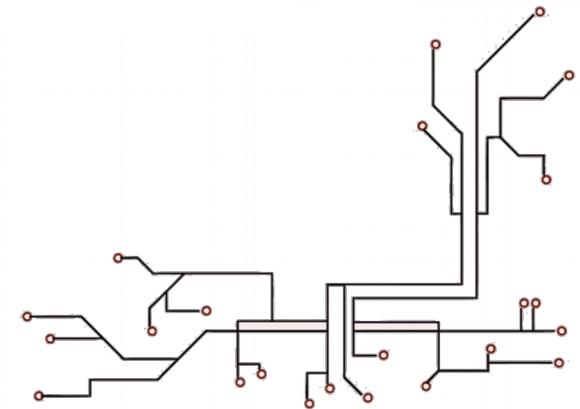
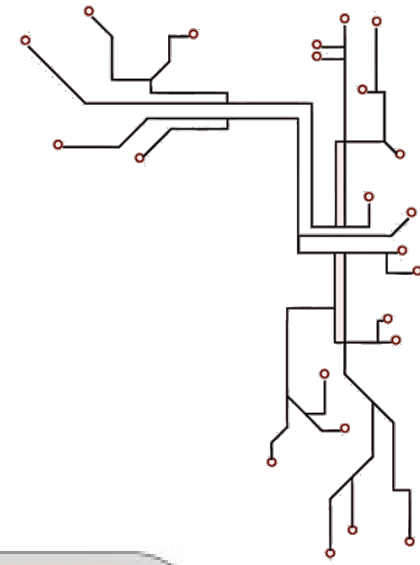
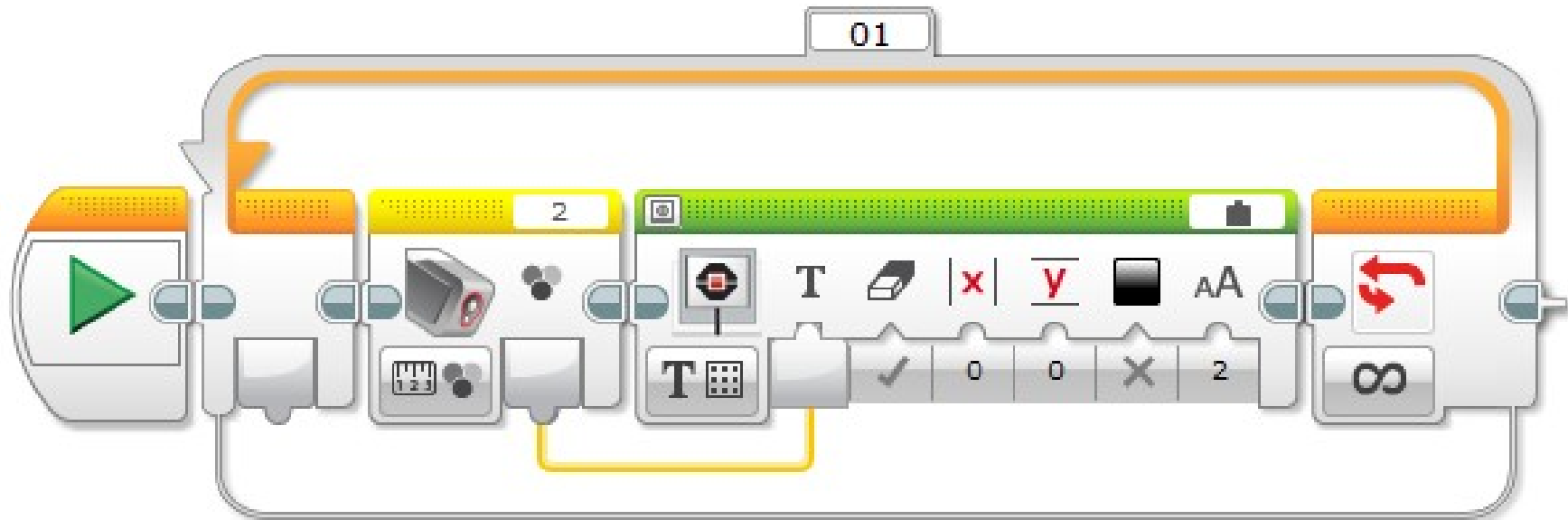
# Color Sensor

How Much Is That Color?



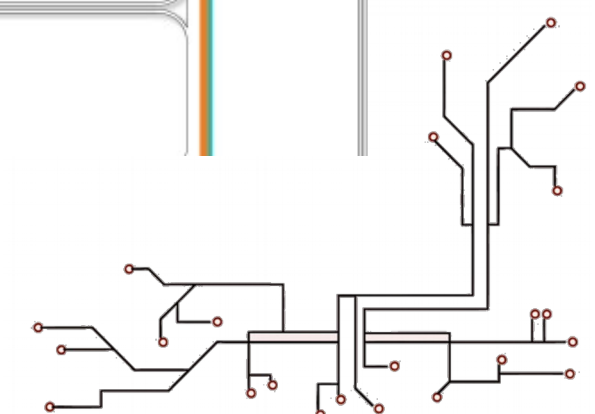
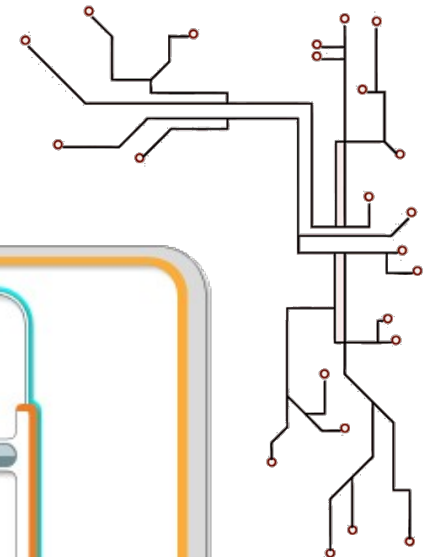
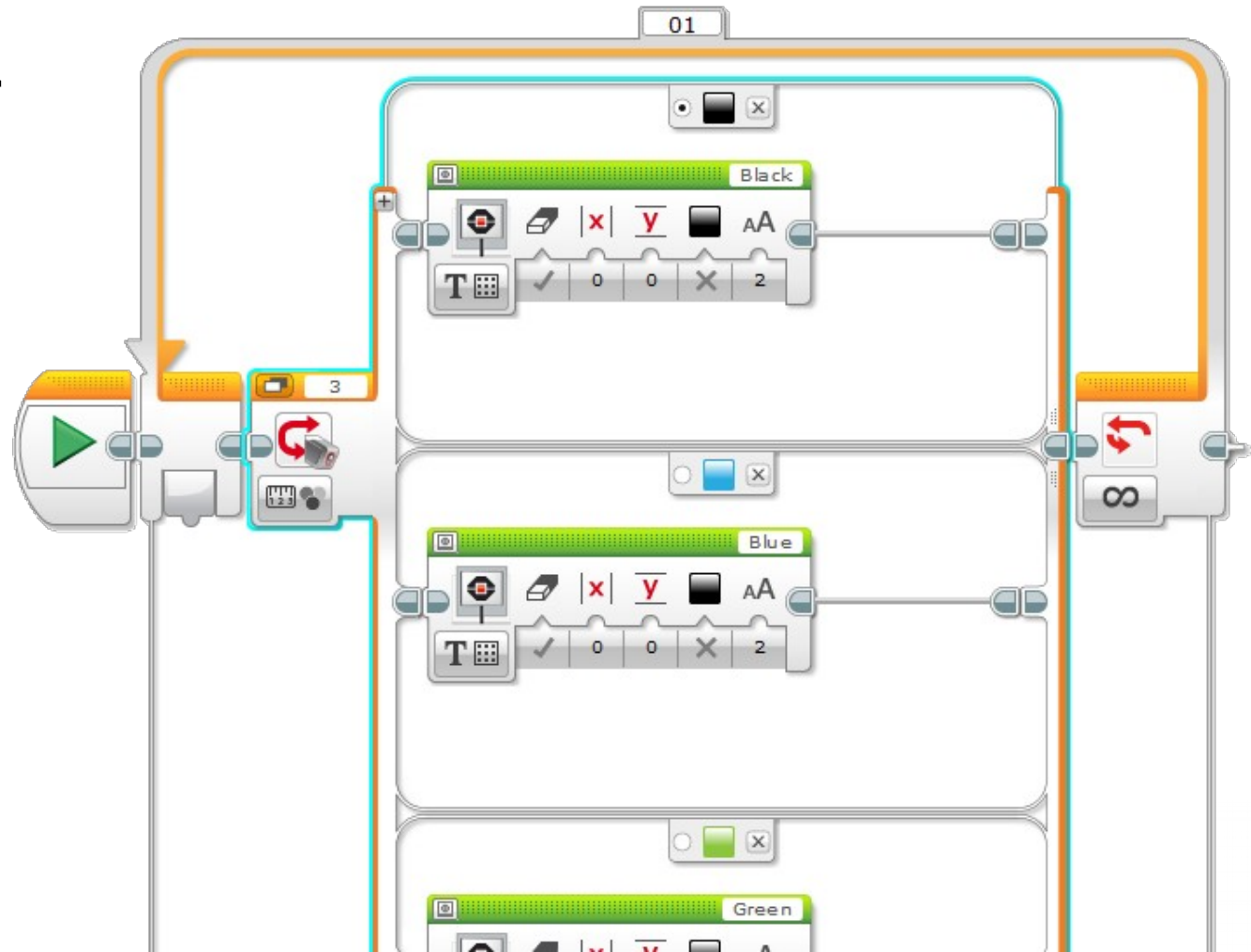
# Color Sensor

## Color Identifier



# Color Sensor

## Color Identifier



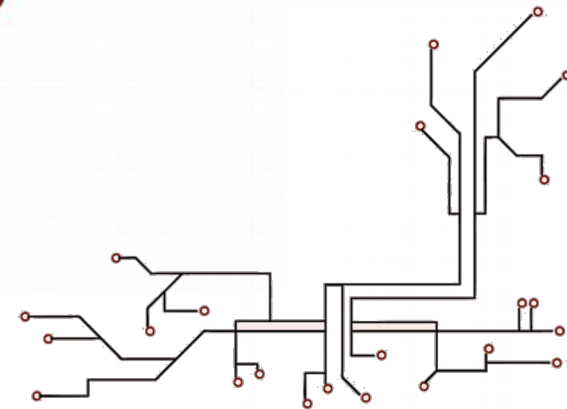
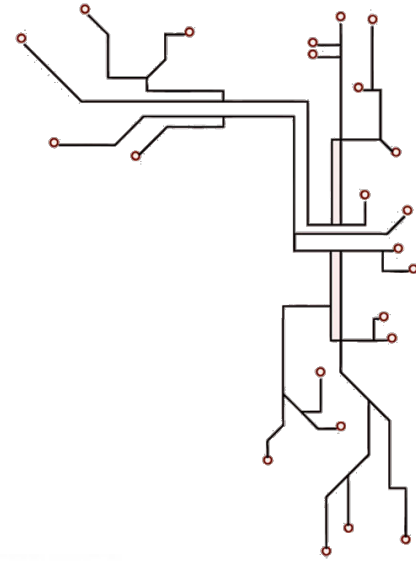
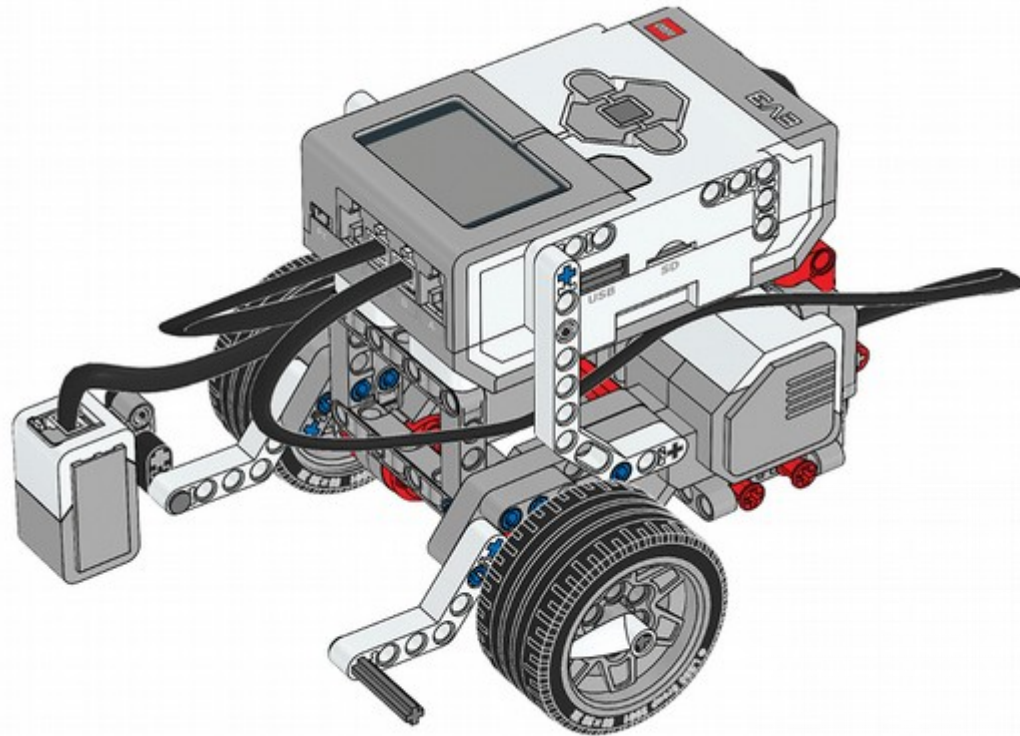
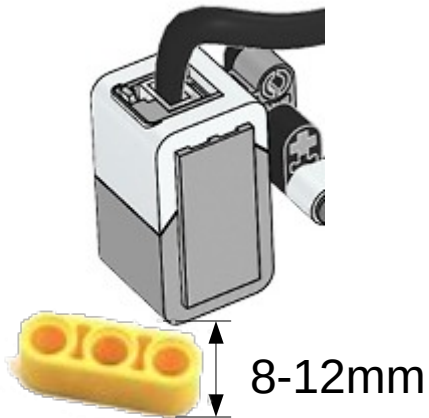
**A POSTERIORI**

Play · Experience · Learn

# Color Sensor

## Challenge – Stop on Red!

1) Mount Sensor on your Robot, facing **down**



**A POSTERIORI**

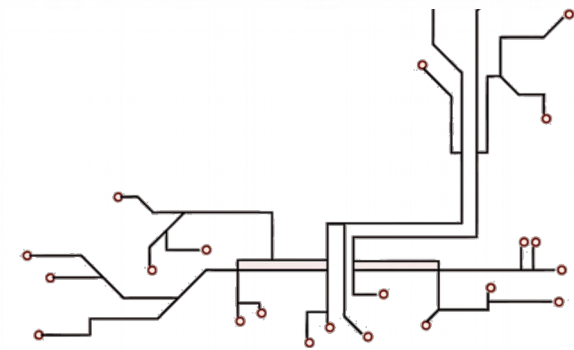
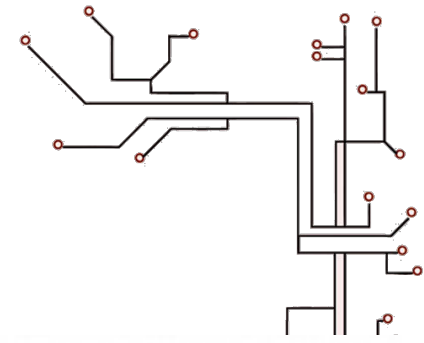
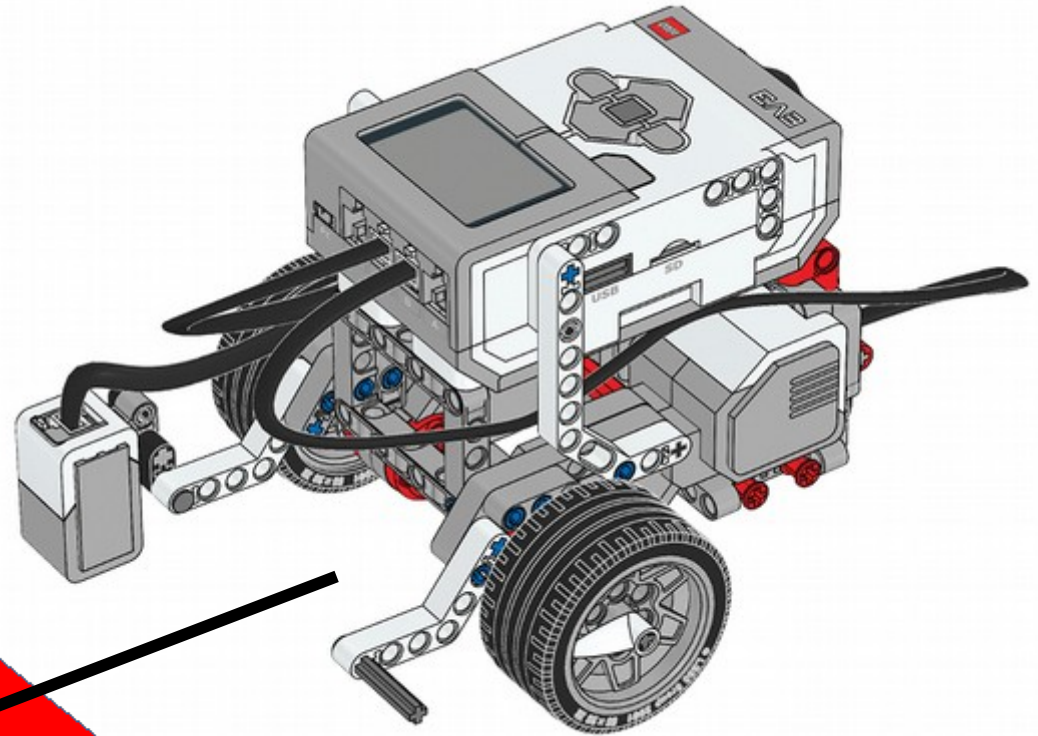
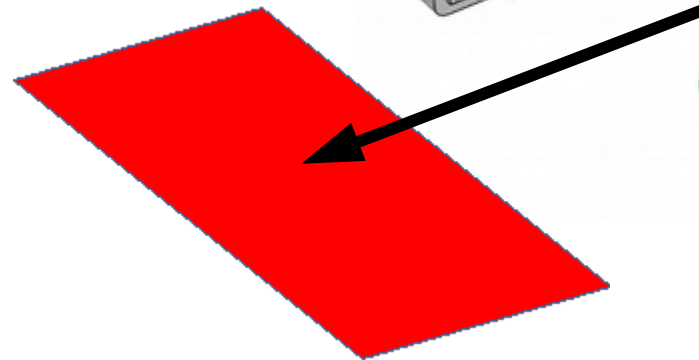
Play · Experience · Learn

# Color Sensor

## Hop Scotch – Stop on Red!

2) Program Robot to:

- Move Fwd
- Until it sees Red
- Then Stop!



**A POSTERIORI**

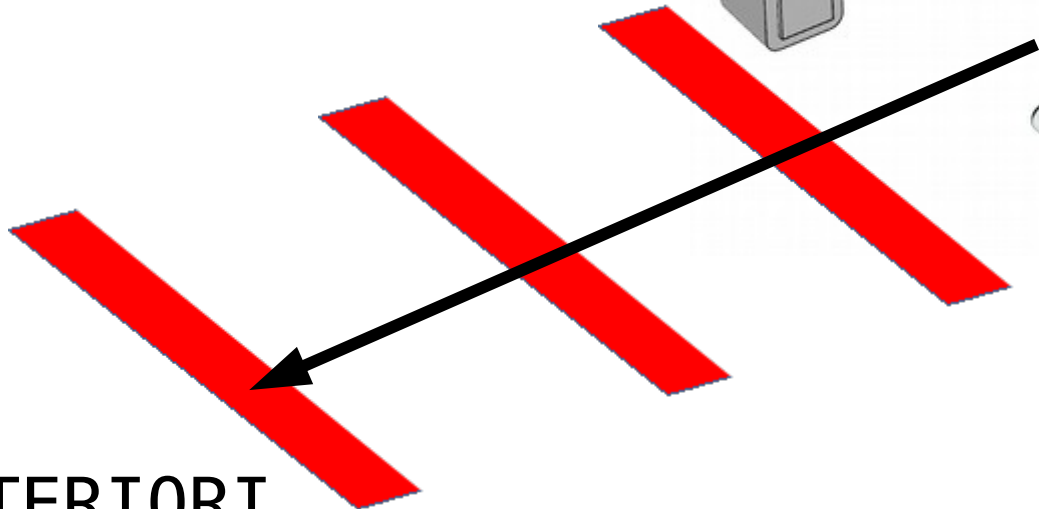
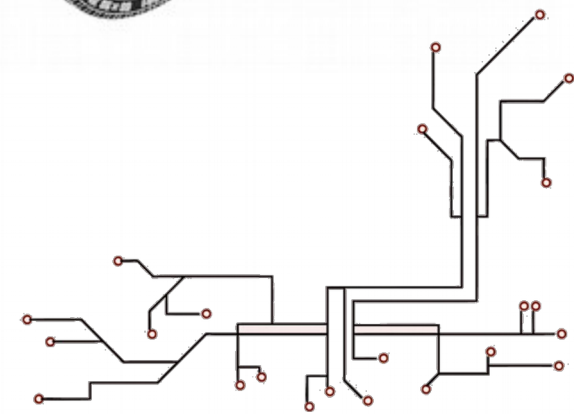
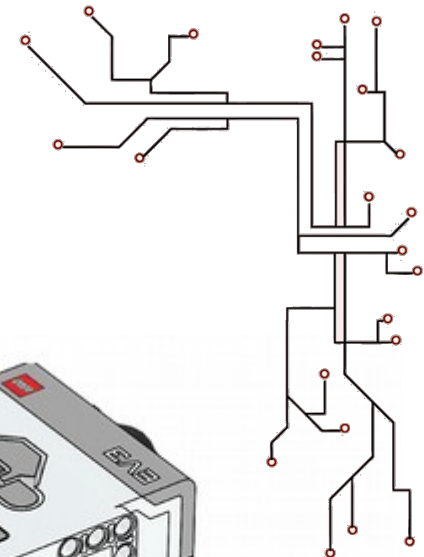
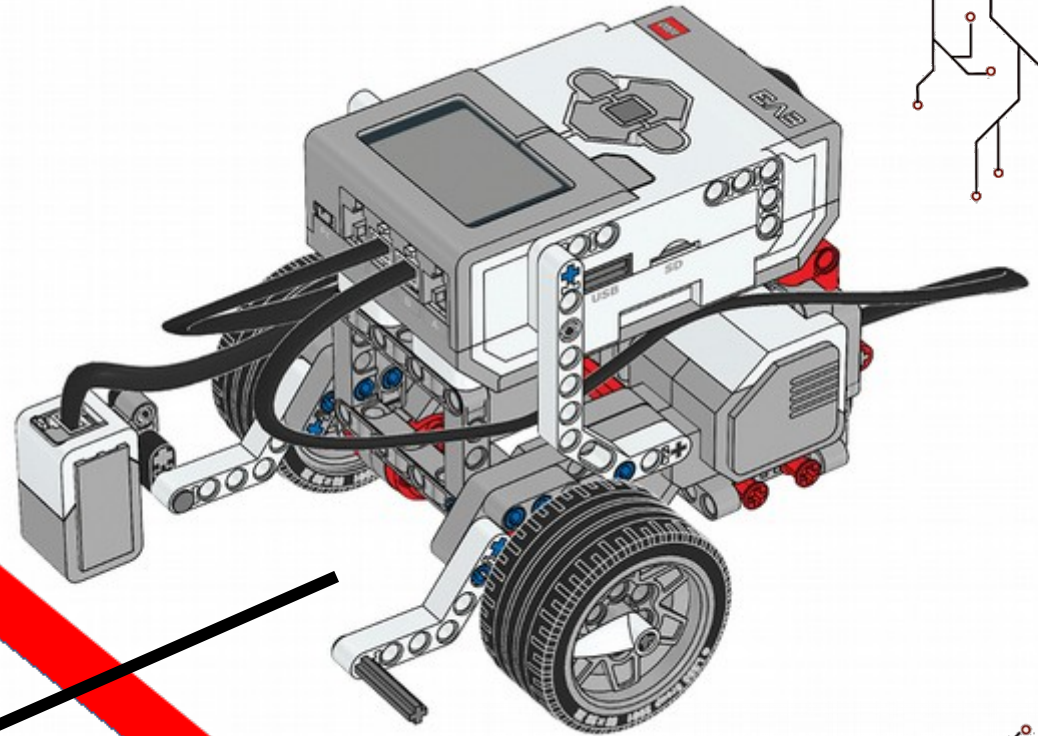
Play · Experience · Learn

# Color Sensor

**Challenge – Stop on Red!**

Program Robot to:

- Stop after 3 Red Lines!



**A POSTERIORI**

Play · Experience · Learn

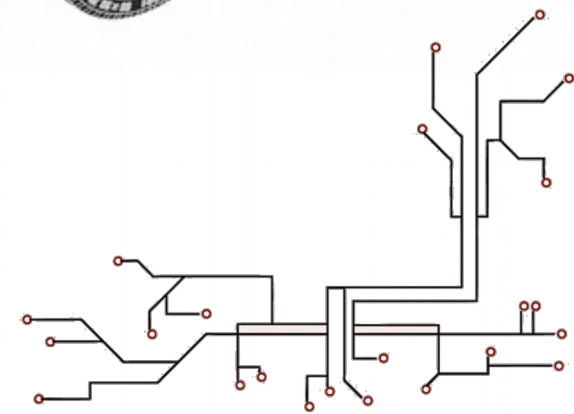
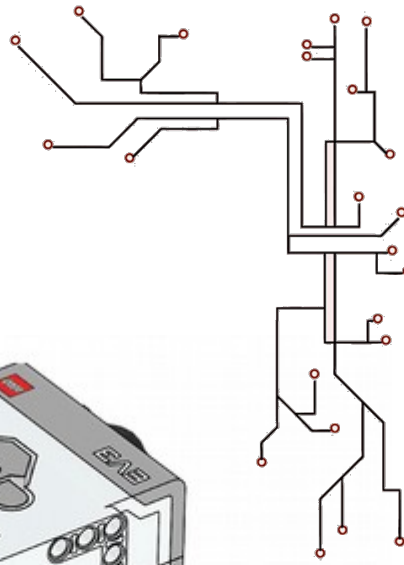
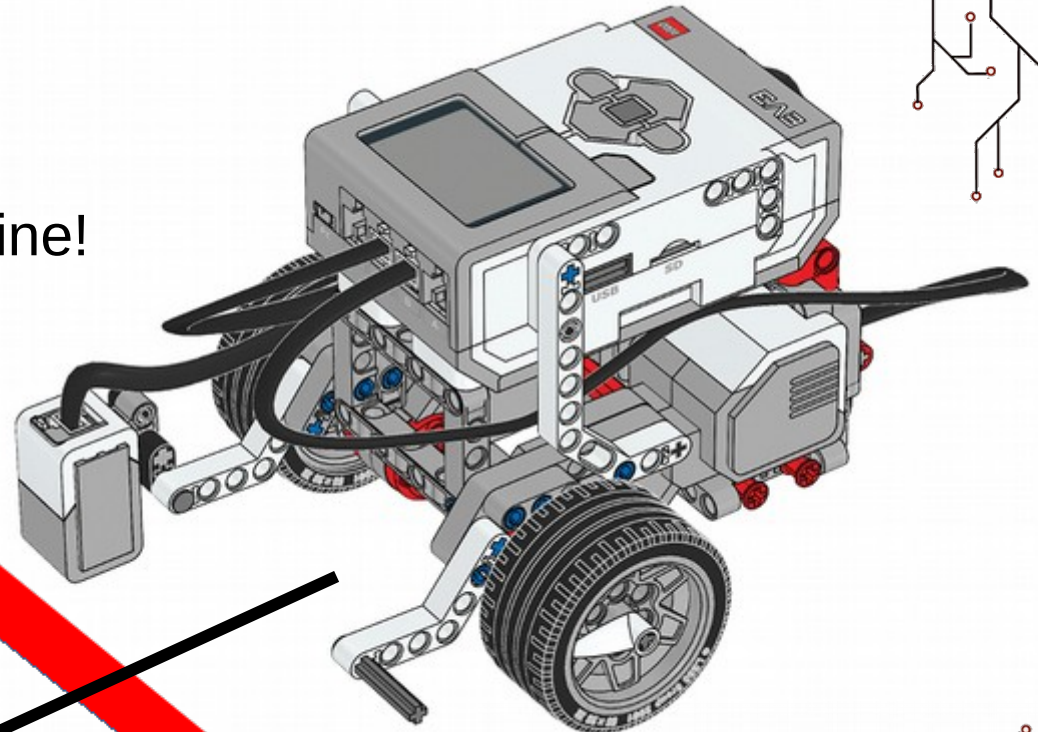
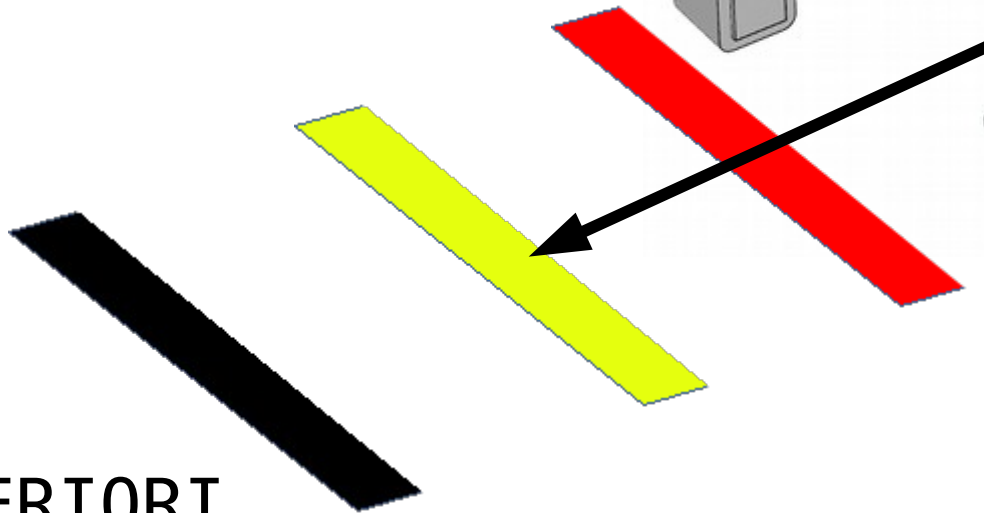


# Color Sensor

## Extra Challenge

Program Robot to:

- Stop after 1 red and 1 yellow line!



**A POSTERIORI**

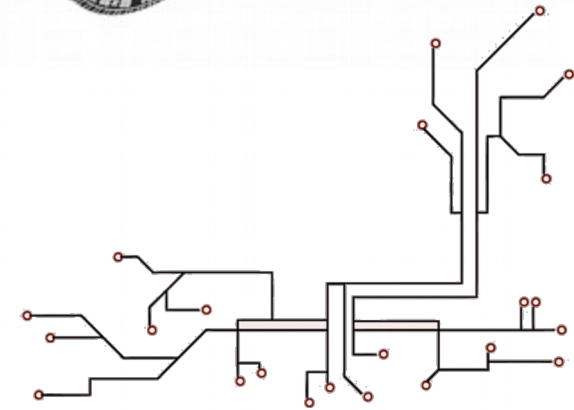
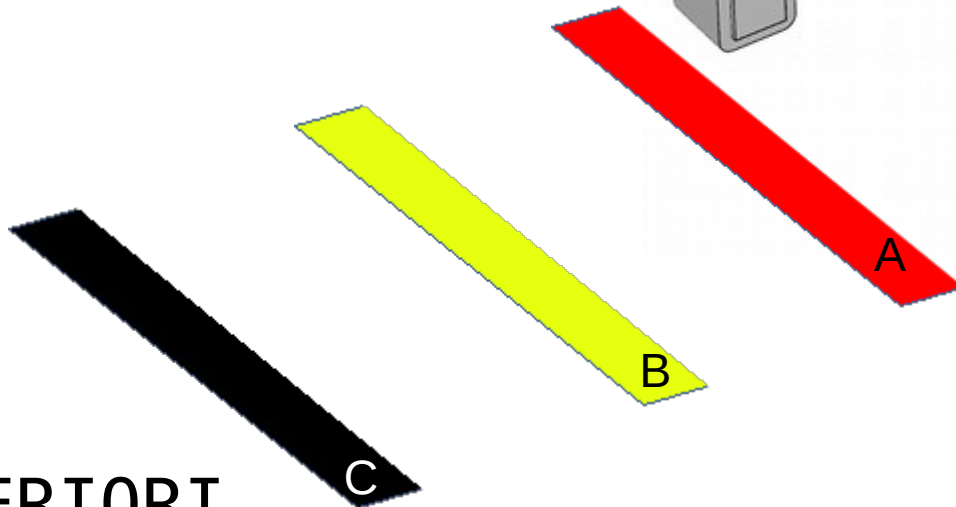
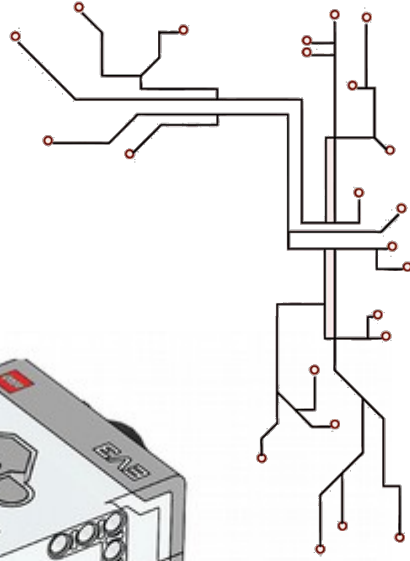
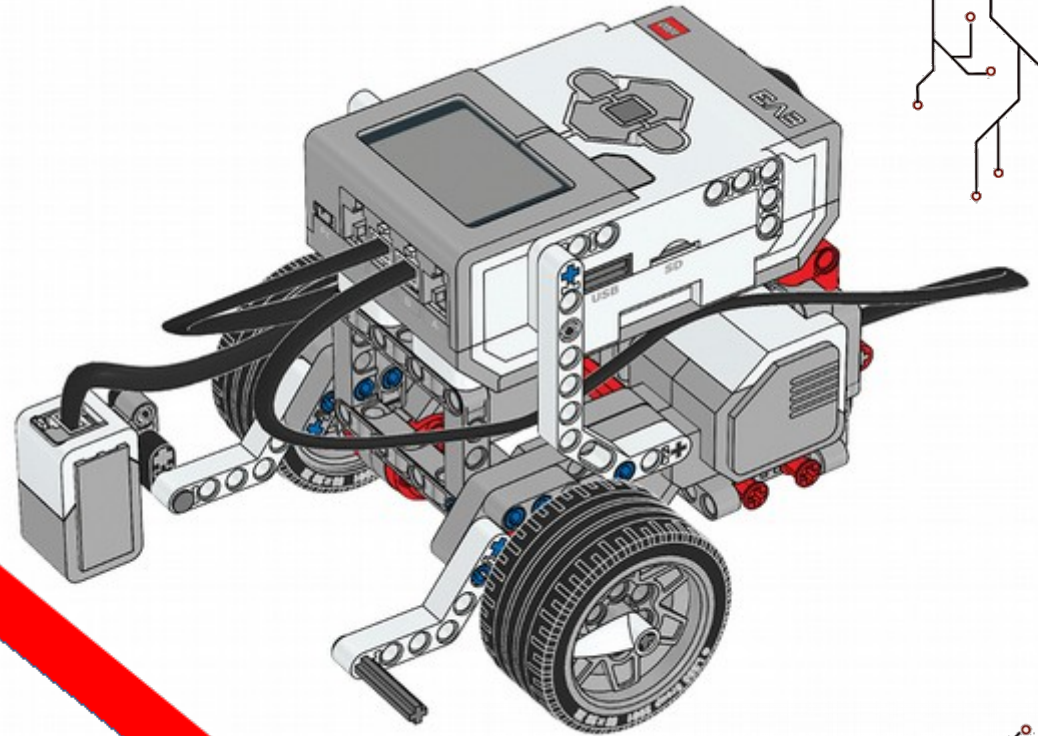
Play · Experience · Learn

# Color of Music

Assign Each Color a Tone/Note (Do, Re, Mi...)

Program Robot to:

- Drive FWD
- As it sees colors, play their assigned notes..



# Color Piano

Compose a Song With Color!

